



# LVB 36~765kV Oil-immersed Current Transformers

Live tank type (or Head type), the secondary winding on the top of CT, Oil-immersed CT is applied for metering and protecting in 36~765kV HV electric power T&D system.

- ◆ Modern and compact design, good insulation performance, high mechanical strength
- ◆ There are various options on output and accuracy class
- ◆ The most modern manufacturing technology on oil-paper-insulation manufacture
- ◆ Strict quality control and routine inspection

### Main Technical Characteristics

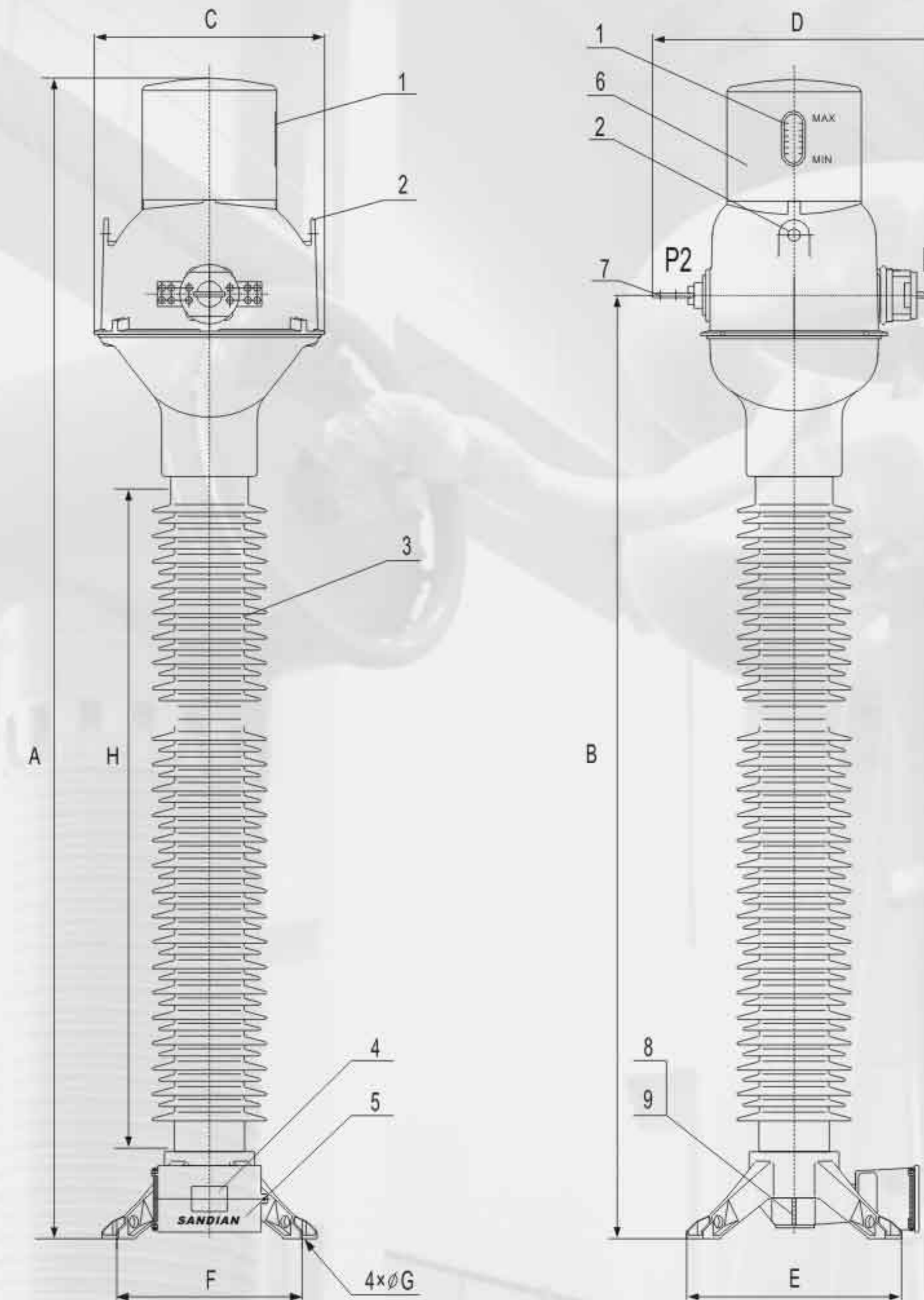
Standards: IEC, ANSI(IEEE), BS, AS, IS and etc.  
 Highest system voltage: 36~765kV  
 Rated power frequency: 50Hz, 60 Hz  
 Rated primary current: Up to 8000A  
 Rated secondary current: 1A or 5A  
 Primary continuous current: 1.2 Un continuous  
 No. of the secondary windings: 1~8  
 Accuracy class:  
 Measurement winding: 0.2S, 0.5S, 0.2, 0.5  
 Protection winding: 5P, 10P, PR, PX, PS  
 TPY, TPS, TPX, TPZ  
 Rated output: 5~50VA, others on request  
 Security factor of the instrument (Fs): 5, 10  
 Short-time thermal current and dynamic stable current  
 36~ 72.5kV: I<sub>th</sub>=31.5kA(3s); I<sub>dyn</sub>=80kA(peak)  
 123~765kV: I<sub>th</sub>=40~63kA(3s); I<sub>dyn</sub>=100~160kA(peak)  
 Partial discharge: ≤5pC under the voltage 1.2Um/√3  
 The dielectric loss factor: ≤0.005 (10kV and um/√3).  
 Temperature rise limit: ≤60K.  
 Ambient temperature: -50~50°C  
 Altitude: Standard design is less than 1000m  
 Or higher values on request.  
 Creepage distance ratio: 25 or 31(mm/kV)  
 Earthquake standard design: up to 0.5g

### Basic insulation level

Type	Highest Voltage for equipment (Um) kV	Power frequency test voltage (r.m.s) kV	Lightning impulse test voltage 1.2/50μs kV
LVB-36	36	70	170
LVB-72.5	72.5	140	325
LVB-123	123	230	550
LVB-145	145	275	650
LVB-170	170	325	750
LVB-245	245	460	1050
LVB-300	300	510	1175
LVB-362	362	510	1175
LVB-420	420	680	1550
LVB-550	525(550)	740	1675
LVB-765	765	975	2100



### Outline Drawing & Dimensions



- Description:**
- 1.Oil-level indicator
  - 2.Lifting lug
  - 3.Porcelain insulator
  - 4.Rating plate
  - 5.Secondary terminal box
  - 6.Oil expansion device
  - 7.Primary terminals
  - 8.Earthing terminals
  - 9.Oil valve

### Specification and Dimensions

Type	A(mm)	B(mm)	C(mm)	D(mm)	E(mm)	F(mm)	ΦG(mm)	H(mm)	Creepage Distance(mm)	Oil Weight (kg)	Total Weight (kg)
LVB-36	1680	1125	602	940	580	475	4×Φ18	550	1260	55	220
LVB-72.5	1870	1240	602	940	580	475	4×Φ18	700	2248	65	300
LVB-123	2375	1805	602	940	580	475	4×Φ18	1150	3813	86	400
LVB-145	2375	1805	602	940	580	475	4×Φ18	1250	4495	90	550
LVB-170	3045	2370	602	975	542	475	4×Φ24	1485	5270	98	600
LVB-245	3645	3085	602	975	700	550	4×Φ24	1900	7595	105	650
LVB-300	4120	3560	745	975	700	600	4×Φ24	2375	9300	125	1000
LVB-362	4360	3600	745	1085	720	600	4×Φ24	2680	11222	260	1200
LVB-420	5020	4330	745	1085	730	600	4×Φ24	3025	13020	290	1500
LVB-550	5990	5020	1008	1120	730	600	4×Φ28	4080	17050	312	2000
LVB-765	8100	6900	1060	1285	1200	900	4×Φ28	5800	23715	480	2800

These parameters are typical values, for other specification, please contact us.